

DTSU666 and DTSU666-CT three phase Smart meter (Din-rail)

Manual

ZTY0.464.1267

Zhejiang Chint Instrument & Meter Co., Ltd.

July , 2020

Catalog

1. Brief Introduction	1
2. Working Principle.....	2
3. Main Technical Performance & Parameters	3
4. Main function.....	6
5. Outline and installation size.....	11
6. Installation and operation manual.....	12
7. Diagnosis, analysis and elimination for common faults	15
8. Transportation & Storage.....	16
9. Maintenance & Service.....	17

DTSU666 and DTSU666-CT three phase Smart meter (Din-rail)	ZTY0.464.1267
Operation manual	Page 1, Total 18

1. Brief Introduction

1.1. Main application & applicable range

DTSU666 and DTSU666-CT three phase Smart meter (Din-rail) (hereinafter referred to as the “instrument”) is designed based on power monitoring and energy metering demands for electric power system, communication industry, construction industry, etc. as a new generation of intelligent instrument combining measurement and communication function, mainly applied into the measurement and display for the electric parameters in the electric circuit including three voltage, three current, active power, reactive power, frequency, positive& negative energy, four-quadrant energy, etc. Adopting the standard DIN35mm din rail mounting and modular design, it is characterized with small volume, easy installation and easy networking, widely applied into the internal energy monitoring and assessment for industrial and mining enterprises, hotels, schools, large public buildings.

The meter is intended to be installed in a Mechanical Environment ‘M1’, with Shock and Vibrations of low significance, as per 2014/32/EU Directive.

The meter is intended to be installed in Electromagnetic Environment ‘E2’, as per 2014/32/EU Directive.

Complied standards:

EN 50470-1:2007 Electricity metering equipment (a.c.) - Part 1 general requirements, tests and test conditions - Metering equipment (class indexes A, B and C);

EN 50470-3:2007 Electricity metering equipment (a.c.) - Part 3 particular requirements - Static meters for active energy (class indexes A, B and C);

IEC62052-11:Electricity metering equipment(AC)-General requirements, tests and test conditions- Part11:Metering equipment ;

IEC62053-21:Electricity metering equipment(AC)-Particularrequirements-Part21: Static meters for active energy(classes 1 and 2);

IEC62053-22:Electricity metering equipment (AC) - Particular requirements -Part 22: Static meters for active energy (classes 0,2 S and 0,5 S);

MODUS-RTU protocol.

DTSU666 and DTSU666-CT three phase Smart meter (Din-rail)	ZTY0.464.1267
Operation manual	Page 2, Total 18

1.2. Product Features

- 1) Characterized with positive and reverse active power, combined active power, combined reactive power, four quadrant reactive power metering and storage function with combination mode character can be set.
- 2) RS485 communication interface, easy to exchange data with outside;
- 3) Adopting the standard DIN35mm din rail mounting and modular design, it is characterized with small volume, easy installation and easy networking.

1.3. Product Model

Table 1 product model and specification

Model	voltage (V)	Current (A)	Impulse constant		Accuracy class
			imp/kWh	imp/kvarh	
DTSU666	3×220/380V...3×240/415V	0.25-5(80)A	400	400	active energy EN 50470-3:Class B
DTSU666-CT		0.015-1.5(6)A	6400	6400	active energy EN 50470-3:Class C

Note1: 0.015-1.5(6)A is Connection through current transformers, starting current is 0.015A;

Note2: 0.25-5(80)A is direct access, starting current is 0.02A;

1.4. Temperature range

Regulated working temperature range: $-10^{\circ}\text{C} \sim +45^{\circ}\text{C}$;

Limited working temperature range: $-25^{\circ}\text{C} \sim +75^{\circ}\text{C}$;

Relative humidity(Annually average): $<75\%$ non-condensing;

Atmospheric pressure: 63.0kPa \sim 106.0kPa(altitude 4km and below), excepting the requirements for special orders.

2. Working Principle

2.1. Working Principle

The instrument are composed of high accurately integrated circuit specially for measurement (ASIC) and managing MCU, memory chip, RS485 communication module, etc.

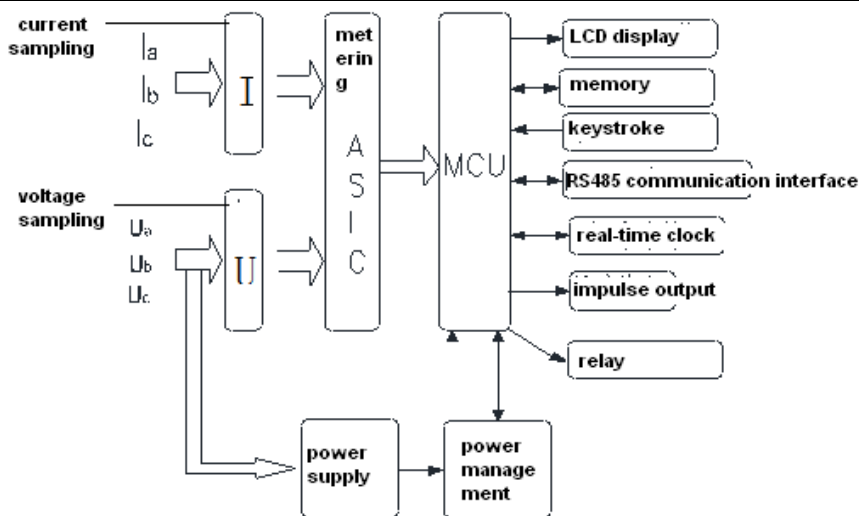


Figure 1 Working principle block diagram

2.2. Principle for the main function module

The special metering integrated circuit (ASIC) integrated six load two order Σ - Δ type of A/D conversion, please take the digital signal processing measured by the voltage circuit as well as all the power, energy, effective values, power factor and frequency. This metering chip can measure the active power, reactive power, apparent power, active energy, reactive power, apparent energy of each phase and combined phase, and at the same time measuring current, voltage effective values, power factor, phase angle, frequency and other parameters, entirely satisfying the needs of power meter. The chip provides an SPI interface, convenient for metering parameters as well as parameter calibration between the management MCU.

3. Main Technical Performance & Parameters

3.1. limit of error caused by the current augment

Table 2 The limit value of the active percentage error of meters on balanced load

Meters for	Value of current	Power factor	Percentage error limits for meters of class		
			Class C	Class B	Class A
Connection through current transformers	$0.01I_n \leq I < 0.05I_n$	1	± 1.0	± 1.5	± 2.0
	$0.05I_n \leq I \leq I_{max}$	1	± 0.5	± 1.0	± 1.2
	$0.02I_n \leq I < 0.1I_n$	0.5L、0.8C	± 1.0	± 1.5	± 2.0
	$0.1I_n \leq I \leq I_{max}$	0.5L、0.8C	± 1.0	± 1.0	± 1.2

DTSU666 and DTSU666-CT three phase Smart meter (Din-rail)	ZTY0.464.1267
Operation manual	Page 4, Total 18

Direct connection	$0.05I_b \leq I < 0.1I_b$	1	-	± 1.5	± 2.0
	$0.1I_b \leq I \leq I_{max}$	1	-	± 1.0	± 1.2
	$0.01I_b \leq I < 0.2I_b$	0.5L、0.8C	-	± 1.5	± 2.0
	$0.2I_b \leq I \leq I_{max}$	0.5L、0.8C	-	± 1.0	± 1.2
Note	I_n : secondary rated current of the current transformer; I_b : calibrated current of the meter; L: inductive; C: capacitive;				

Table 3 The limit value of the reactive percentage error of meters on balanced load

Value of current		$\sin\phi$ (inductive or capacitive)	Percentage error limits for meters of class	
Direct connection	Connection through current transformers		Class A	
$0.05I_b \leq I < 0.1I_b$	$0.02I_n \leq I < 0.05I_n$	1	± 2.5	
$0.1I_b \leq I \leq I_{max}$	$0.05I_n \leq I \leq I_{max}$	1	± 2.0	
$0.1I_b \leq I < 0.2I_b$	$0.05I_n \leq I < 0.1I_n$	0.5	± 2.5	
$0.2I_b \leq I \leq I_{max}$	$0.1I_n \leq I \leq I_{max}$	0.5	± 2.0	
$0.2I_b \leq I \leq I_{max}$	$0.1I_n \leq I \leq I_{max}$	0.25	± 2.5	

Table 4 The limit value of the reactive percentage error of meters on balanced load

Value of current		Power factor	Percentage error limits for meters of class		
Direct connection	Connection through		Class C	Class B	Class A
$0.1 I_b \leq I \leq I_{max}$	$0.05I_n \leq I \leq I_{max}$	1	± 0.6	± 2.0	± 3.0
$0.2I_b \leq I \leq I_{max}$	$0.1I_n \leq I \leq I_{max}$	0.5L	± 1.0	± 2.0	± 3.0

Table 5 The limit value of the reactive percentage error of meters on imbalanced load

Value of current		Power factor	Percentage error limits for meters of class	
Direct connection	Direct connection		Class A	
$0.1 I_b \leq I \leq I_{max}$	$0.05I_n \leq I \leq I_{max}$	1	± 3.0	
$0.2I_b \leq I \leq I_{max}$	$0.1I_n \leq I \leq I_{max}$	0.5	± 3.0	

3.2. Starting and no-load condition

3.2.1. Starting

DTSU666 and DTSU666-CT three phase Smart meter (Din-rail)	ZTY0.464.1267
Operation manual	Page 5, Total 18

Under the power factor of 1.0 and started current, the instrument can be started and continuously measure (for multiple phase instrument, it will bring balanced load). If the instrument is designed based on measurement for dual directional energy, then it is applicable for each direction of energy.

Table 6 start current

Meters for	Class of meter			Power factor
	Class C	Class B	Class A	
Direct connection	-	$0.004I_b$	$0.005I_b$	1
Connection through current transformers	$0.001I_b$	$0.002I_b$	$0.003I_b$	1

3.2.2. Test of no-load condition

When the voltage is applied with no current flowing in the current circuit, the test output of the meter shall not produce more than one pulse.

For this test, the current circuit shall be open-circuit and a voltage of 115 % of the reference voltage shall be applied to the voltage circuits.

The minimum test period Δt shall be

$$\Delta t \geq \frac{600 \times 10^6}{k \cdot m \cdot U_n \cdot I_{\max}} [\text{min}] \text{ for meters of class 0.5S or 1}$$

$$\Delta t \geq \frac{480 \times 10^6}{k \cdot m \cdot U_n \cdot I_{\max}} [\text{min}] \text{ for meters of class 2}$$

k is the number of pulses emitted by the output device of the meter per kilowarhour(imp/kW·h);

m is the number of measuring elements;

U_n is the reference voltage in volts;

I_{\max} is the maximum current in amperes.

3.3. Electrical parameters

Table 7 Electrical parameters

Specified operating voltage range	0.9Un~1.1Un	
Extended operating voltage range	0.7Un~1.3Un	
Power consumption of voltage	≤1.5W 和 6VA	
Power consumption of current	Ib<10A	≤0.2VA
	Ib≥10A	≤0.4VA
Data storage time after power interruption	≥10 years	

DTSU666 and DTSU666-CT three phase Smart meter (Din-rail)	ZTY0.464.1267
Operation manual	Page 6, Total 18

Note: meters intended to be used indoors.

4. Main function

4.1. Displayed function

From the displayed interface, the electrical parameter and energy data are all primary side data (that is, the multiplied by current and voltage ratios). The energy measuring value will be displayed seven bits, with the displaying range from 0.00kWh to 9999999MWh.

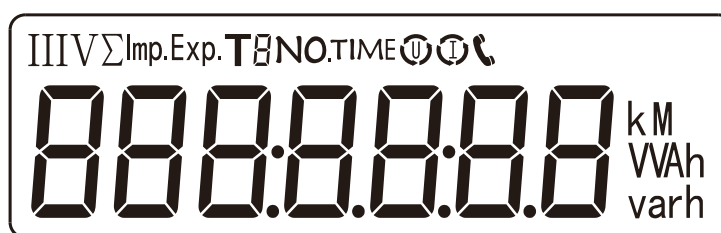










Figure 2 display

Table 8 Display interface

No.	Display interface	Instruction	No.	Display interface	Instruction
1		Positive active energy =10000.00kWh	10		Phase C current =5.002A
2		Reserve active energy =2345.67kWh	11		Combined phase active power =3.291kW
3		Protocol: MdoBus-RTU; address =001 Baudrate=9600 None parity, 1 stop bits	12		Phase A active power =1.090kW
4			13		Phase B active power =1.101kW
5		Phase A voltage =220.0V	14		Phase C active power

DTSU666 and DTSU666-CT three phase Smart meter (Din-rail)	ZTY0.464.1267
Operation manual	Page 7, Total 18

					=1.100kW
6		Phase B voltage =220.1V	15		Combined phase power factor PFt=0.500
7		Phase C voltage =220.2V	16		phase A power factor PFa=1.000
8		Phase A current =5.000A	17		Phase B power factor PFb=0.500
9		Phase B current =5.001A	18		phase C power factor PFc=-0.500

4.2. Programming function

4.2.1. Programming function

Table 9 Programming Parameter

Parameter	Value range	Description
C_t	1~9999	Current ratio, used for setting the input loop current ratio: When the current is connected to the line via the transformer, C_t =the rated current of the primary loop / the rated current of the secondary circuit; When the current is directly connected to the line, C_t shall be set as 1.
P_t	0.1~999.9	Voltage ratio, used for setting the voltage ratio of the input loop; When the voltage is connected to the line via the transformer, P_t = the rated voltage of the primary loop / the rated voltage of the secondary circuit; When the voltage is directly connected to the line, P_t shall be set as 1.0.
P_{rot}	1: 645; 2: n.2; 3: n.1; 4: E.1; 5: O.1;	Settings for communication stop bit and Parity bits: 1: DL/T 645; 2: None parity, 2 stop bits, n.2; 3: None parity, 1 stop bit, n.1; 4: Even parity, 1 stop bit, E.1;

DTSU666 and DTSU666-CT three phase Smart meter (Din-rail)	ZTY0.464.1267
Operation manual	Page 8, Total 18

		5: Odd parity, 1 stop bit, 0.1;
bAud	0: 1.200; 1: 2.400; 2: 4.800; 3: 9.600;	Communication baud rate: 0: 1200 bps; 1: 2400 bps; 2: 4800 bps; 3: 9600 bps;
Addr	1~247	Communication address
nEt	0: n.34; 1: n.33;	Option for wiring mode: 0: n.34 represents three phase four wire; 1: n.33 represents three phase three wire.
CLrE	0:no; 1:E	The setting is 1, representing the allowed instrument energy data clearance, which will be zero reset after clearing.
PLuS	0:P; 1:Q; 2:S;	Pulse output: 0: active energy pulse; 1: reactive energy pulse; 2: Others.
dISP	0~30	Display in turns(second) 0: Timely display; 1~30: Time interval of actual display.

4.2.2. Programming operation

Button description: “SET” button represents “confirmation”, or “cursor shift” (when input digits), “ESC” button represents “exit”, “→” button represents “add”. The input code is (default 701).

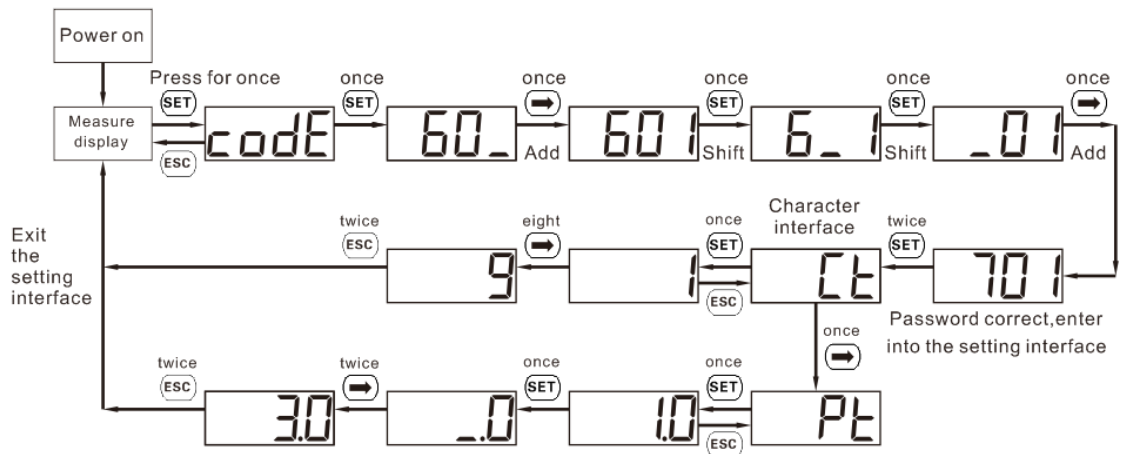


Figure 3 Setting examples for current and potential transformer ratio

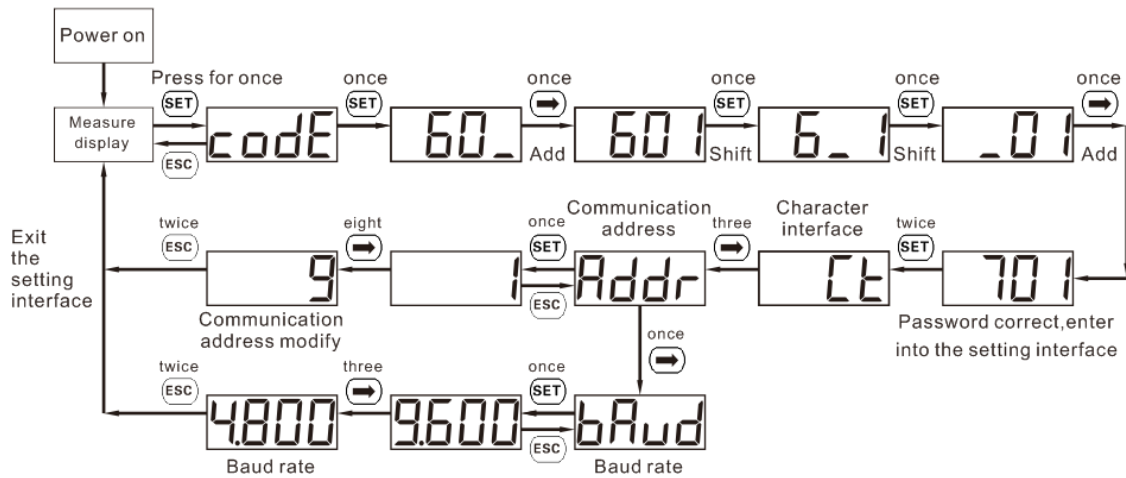


Figure 4 Setting examples for communication address and Baud Rate

When input digits, “SET” can be used as cursor “_” motion button; “→” is “add” button, “ESC” is Exit the programming operation interface or switch to the character interface from digit modification interface, add from the beginning after setting the digit to the maximum value.

4.3. Communication function

Characterized with a RS485 communication interface, the baud rate can be changed between 1200bps, 2400bps, 4800bps and 9600bps.

Factory default communication parameter is ModBus-RTU protocol, the baud rate is 9600bps, with the calibration bit and stop bit to be n.1, and the instrument address to be 1. The following table is the common ModBus protocol address table, can be asked for specified communication protocol by calling. ModBus_RTU protocol read command is 03H, write command is 10H.

Table 10 ModBus protocol address table

Parameter address	Parameter code	Instructions of parameters	Data type	Data length Word	Read Write
Keyboard parameters (specific parameters see the instructions of programming parameters, the actual value with (*) parameter= communication parameter value × 0.1)					
0000H	REV.	Software Version	Signed	1	R
0001H	UCode	Programming code codeE(1~9999)	Signed	1	R/W
0002H	ClrE	Power reset CLr.E(1:energy clear)	Signed	1	R/W
0003H	nEt	Network selection (0:three phase four	Signed	1	R/W

DTSU666 and DTSU666-CT three phase Smart meter (Din-rail)	ZTY0.464.1267
Operation manual	Page 10, Total 18

		wire,1:three phase three wire)			
0006H	I_t	Current transformer rate IrAt(1~9999)	Signed	1	R/W
0007H	P_t	Voltage transformer rate UrAt (*) (1~9999 represents voltage ratio 0.1~999.9)	Signed	1	R/W
000AH	Disp	Rotating display time (s)	Signed	1	R/W
000CH	Endian	Reserve	Signed	1	R/W
002CH	P_{rot}	Protocol switching (1:DL/T645-2007;2:n.2;3:n.1;4:E.1;5:o.1)	Signed	1	R/W
002DH	b_{Aud}	Communication baud rate bAud (0:1200;1:2400;2:4800;3:9600;)	Signed	1	R/W
002EH	A_{ddr}	Communication address Addr(1~247)	Signed	1	R/W
Electricity data on the Primary side					
2000H	Uab	Three phase line voltage data, Unit V($\times 0.1V$)	float	2	R
2002H	Ubc		float	2	R
2004H	Uca		float	2	R
2006H	Ua	Three phase phase voltage data, Unit V V($\times 0.1V$) (Invalid for three phase three phase)	float	2	R
2008H	Ub		float	2	R
200AH	Uc		float	2	R
200CH	Ia	Three phase current data, Unit A($\times 0.001A$)	float	2	R
200EH	Ib		float	2	R
2010H	Ic		float	2	R
2012H	Pt	Combined active power, Unit W($\times 0.1W$)	float	2	R
2014H	Pa	A phase active power, Unit W($\times 0.1W$)	float	2	R
2016H	Pb	B phase active power, Unit W($\times 0.1W$) (Invalid for three phase three phase)	float	2	R
2018H	Pc	C phase active power, Unit W($\times 0.1W$)	float	2	R
201AH	Qt	Combined reactive power, Unit var($\times 0.1var$)	float	2	R
201CH	Qa	A phase reactive power, Unit var($\times 0.1var$)	float	2	R
201EH	Qb	B phase reactive power, Unit var($\times 0.1var$) (Invalid for three phase three phase)	float	2	R
2020H	Qc	C phase reactive power, Unit var($\times 0.1var$)	float	2	R
202AH	PFt	Combined power factor(positive number: inductive, negative number: capacitive) ($\times 0.001$)	float	2	R
202CH	PFa	A phase power factor(positive number: inductive,	float	2	R

DTSU666 and DTSU666-CT three phase Smart meter (Din-rail)	ZTY0.464.1267
Operation manual	Page 11, Total 18

		negative number: capacitive) (Invalid for three phase three phase) ($\times 0.001$)			
202EH	PFb	B phase power factor(positive number: inductive, negative number: capacitive) (Invalid for three phase three phase) ($\times 0.001$)	float	2	R
2030H	PFc	C phase power factor(positive number: inductive, negative number: capacitive) (Invalid for three phase three phase) ($\times 0.001$)	float	2	R
2044H	Freq	Frequency, Unit Hz($\times 0.01\text{Hz}$)	float	2	R
Power primary side data					
101EH	ImpEp	(current) positive total active energy(kWh)	float	2	R
1028H	ExpEp	(current) negative total active energy(kWh)	float	2	R

Note : Single-precision floating point(float) adopts standard IEEE754 format, total 32 bit(4 word). The single-precision floating point mode is assumed to be ABCD(high type in the front, low byte behind).

4.4. Energy measurement function

The horizontal axis of the measurement plane represents the current vector I (fixed on the horizontal axis), and the instantaneous voltage vector is used to represent the current power transmission. Compared with the current vector I , it has phase angle ϕ . The counter-clockwise direction ϕ angle is positive.

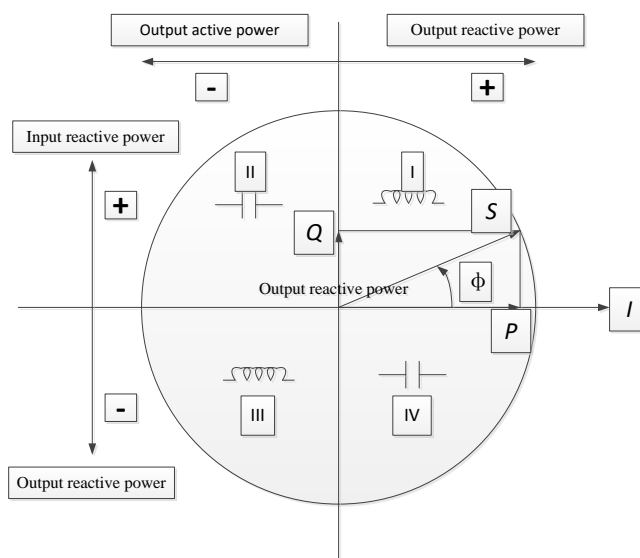


Figure 5 Measurement schematic diagram for energy four quadrants

5. Outline and installation size

DTSU666 and DTSU666-CT three phase Smart meter (Din-rail)	ZTY0.464.1267
Operation manual	Page 12, Total 18

Table 11 Installation size

Model	modulus	Outline size (length× width× height) mm	Installation size (din rail)
DTSU666	4	100×72×65	DIN35 din rail
DTSU666-CT	4		

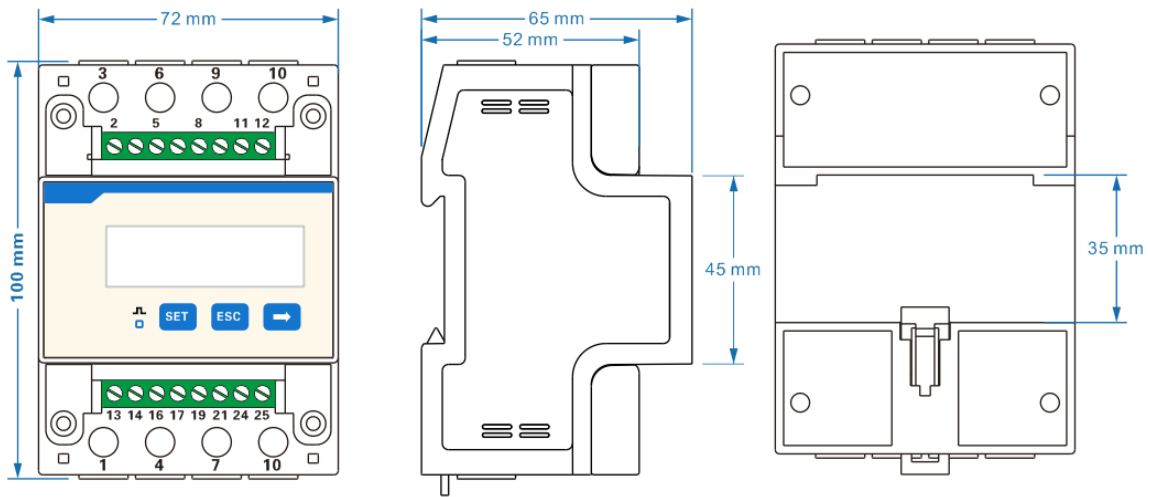


Figure 6 Outline size diagram

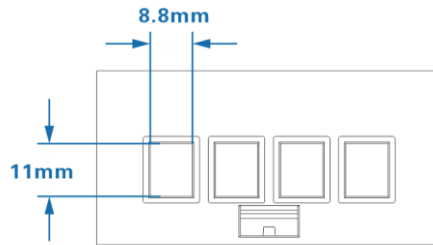


Figure 7 current cable terminal (Conductor Cross-sectional Area Range $\leq 16 \text{ mm}^2$)

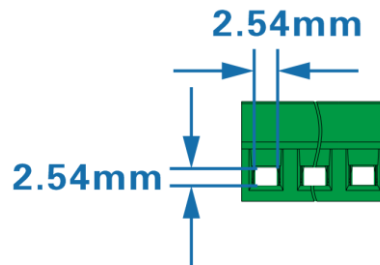


Figure 8 RS485 cable terminal (Conductor Cross-sectional Area Range $0.25\text{-}1\text{mm}^2$)

6. Installation and operation manual

6.1. Inspection Tips

DTSU666 and DTSU666-CT three phase Smart meter (Din-rail)	ZTY0.464.1267
Operation manual	Page 13, Total 18

When unpacking the carton, if the shell has obvious signs caused by severe impact or falling, please contact with the supplier as soon as possible.

After the instrument being removed from the packing box, it should be placed on a flat and safe plane, facing up, not overlaying for more than five layers. If not installed or used in a short time, the electric meter shall be packed and placed to the original packing box for storage.

The waterproof and dustproof rating of the front panel of the Meter is IP51, it shall be used in the meter box meeting the requirements of IP51.

6.2. Installation and tips

6.2.1. Installation and Inspection

If the model No or configuration in the original packing box is not in accordance with the requirement, please contact with the supplier. While, if the inner package or shell has been damaged after removing the instrument from the packing box, please do not install, power on the instrument, please contact with the supplier as soon as possible, instead.

6.2.2. Installation

It requires experienced electrician or professional personnel to install it and you must read this operation manual. During the installation, if the shell has obvious damage or marks caused by violent impact or falling, please do not install it or power on and contact with the supplier as soon as possible.

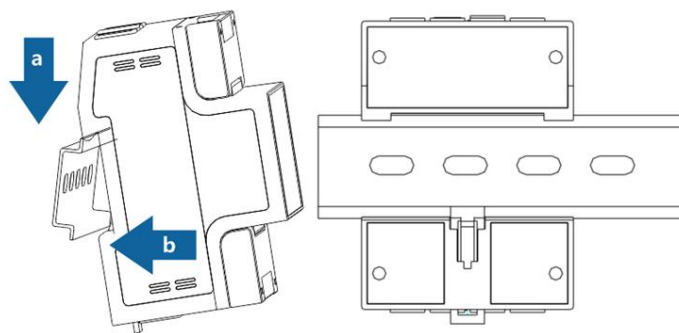


Figure 9 Recommended Installation Method

6.3. Typical wiring

DTSU666 and DTSU666-CT three phase Smart meter (Din-rail)	ZTY0.464.1267
Operation manual	Page 14, Total 18

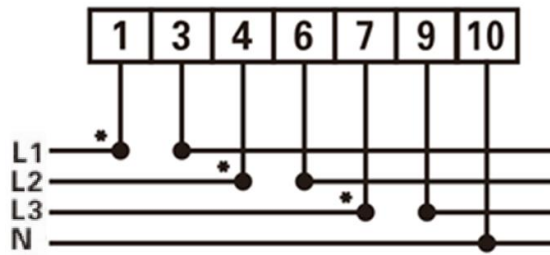


Figure 10 Three phase four wire: direct connect

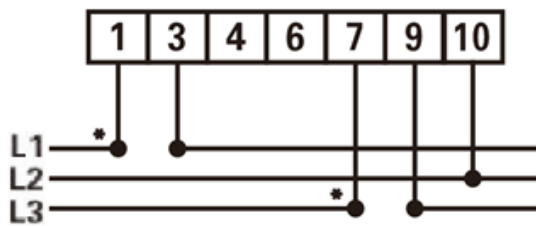


Figure 11 Three phase three wire: direct connect

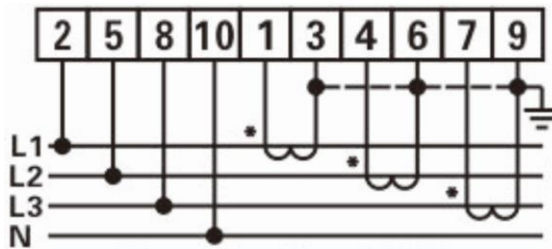


Figure 12 Three phase four wire: Connection through current transformers

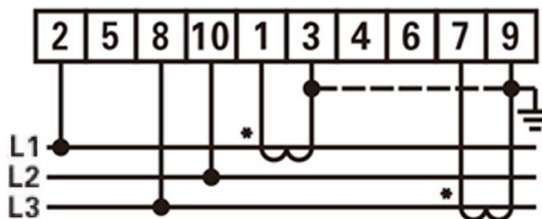


Figure 13 Three phase three wire: Connection through current transformers

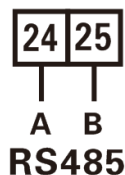


Figure 14 RS485

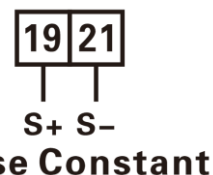


Figure 15 Pulse output

◆ Voltage signal (only for connection via current transformer)

2-----UA (Phase A voltage input terminal)

5 -----UB (Phase B voltage input terminal)

8-----UC (Phase C voltage input terminal)

10-----UN (Phase N voltage input terminal)

DTSU666 and DTSU666-CT three phase Smart meter (Din-rail)	ZTY0.464.1267
Operation manual	Page 15, Total 18

◆ Current signal:

1-----IA*(Phase A current input terminal)

3-----IA (Phase A current output terminal)

4-----IB*(Phase B current input terminal)

6-----IB (Phase B current output terminal)

7-----IC*(Phase C current input terminal)

9-----IC(Phase C current output terminal)

◆ RS485 Communication wire

24-----A (RS485 Terminal A)

25-----B (RS485 Terminal B)

◆ Auxiliary function

19----- Active energy and reactive energy output high terminal

21----- Active energy and reactive energy output low terminal

NOTICE:In the Figure 10、 11、 12、 13, the L1、 L2、 L3 correspond to Phase A、 Phase B、 Phase C

7. Diagnosis, analysis and elimination for common faults

Fault phenomenon	Reason analysis	Elimination
No display when powered on	<ol style="list-style-type: none"> 1、 Incorrect wiring 2、 Abnormal voltage for the instrument 	<ol style="list-style-type: none"> 1. If it is wrongly connected, please reconnect based on the right wiring mode (see the wiring diagram). 2. If the supplied voltage is abnormal, please choose the specified voltage. 3. If not the above problems, please contact with the local supplier.
Abnormal RS485 communication	<ol style="list-style-type: none"> 1. RS485 communication cable is opened, short circuit or reversely connected. 2. Address, baud rate, data bit and check bit is not in accordance with the host computer. 3. The end of RS485 communication cable has not been matched with resistance 	<ol style="list-style-type: none"> 1. If there is any problem with the communication cable, please change it. 2. Set the address, baud rate, data bit and check bit through buttons and confirm it is the same with the host computer, then set the operation to be “parameter settings”.

DTSU666 and DTSU666-CT three phase Smart meter (Din-rail)	ZTY0.464.1267
Operation manual	Page 16, Total 18

	(when the distance over than 100 meters) 4. Not matched with the communication protocol order of the host computer	3. If the communication distance is over than 100 meters, and the communication parameter settings are the same as the host computer, but cannot be communicated, then please lower the baud rate or add a resistance of 120Ω at the start terminal and ending terminal.
Abnormal data for the electrical parameter (voltage, current, power, etc.)	1. The transformer's ratio hasn't been set, and the instrument displays the secondary side data. 2. Wrong wiring.	1. If setting the transformer ratio, please set the voltage ratio and current ratio based on "parameter setting" 2. If wrongly connected, please connect the voltage and current of phase A, B and C to the wiring terminal of the instrument.
Abnormal data for the electrical parameter read by communication (voltage, current, power, etc.)	1. Data read by communication is secondary side data, without transformer ratio. 2. Wrong analysis for data frame	1. Multiply the data read by communication with the voltage ratio and current ratio. 2. Analyze the data frame based on the format of the communication protocol, please pay attention to the mode of the big and small end of data.

8. Transportation & Storage

When transporting and unpacking the products, please confirm they are not severely impacted, transporting and storing based on Transportation, basic environmental conditions and testing methods for instrument and meters of JB/T9329-1999.

The instrument and accessories shall be stored in the dry and ventilated places, to avoid humidity and corrosive gas erosion, with the limited environmental temperature for storage to be -40℃~+70℃ and relative humidity not exceeding 85%.

DTSU666 and DTSU666-CT three phase Smart meter (Din-rail)	ZTY0.464.1267
Operation manual	Page 17, Total 18

9. Maintenance & Service

We guarantee free reparation and change for the multi-meter if found any unconformity with the standard, under circumstance of that the users fully comply with this instructions and complete seal after delivery within 18 months.

DTSU666 and DTSU666-CT three phase Smart meter (Din-rail)	ZTY0.464.1267
Operation manual	Page 18, Total 18

Dear clients,

Please assist us: when the product life is end, to protect our environment, please recycle the product or components, while for the materials that cannot be recycled, please also deal with it in a proper way. Really appreciate your cooperation and support.

Name of Company: Zhejiang Chint Instrument & Meter Co., Ltd.

Address: Wenzhou Bridge Industrial Zone, Yueqing, Zhejiang, China.

Zip Code: 325603

Telephone: 0577-62877777

Fax: 0577-62891577

Service hotline: 4008177777

Fake Complaint: 0577-62789987

Website: <http://www.chint.com>

Email: ztyb@chint.com

Date of Issue: July , 2020

No.:ZTY0.464.1267V4